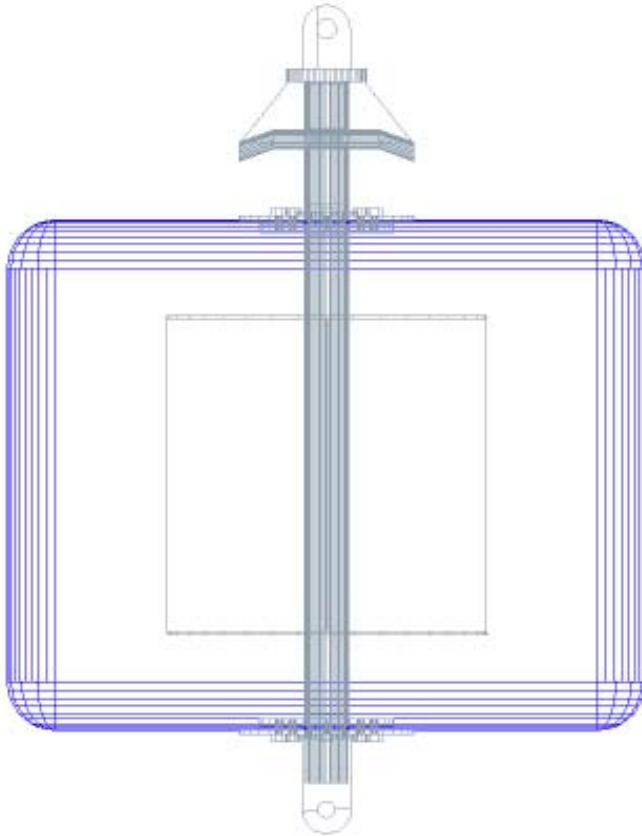


APB SERIES ANCHOR PENDANT BUOYS



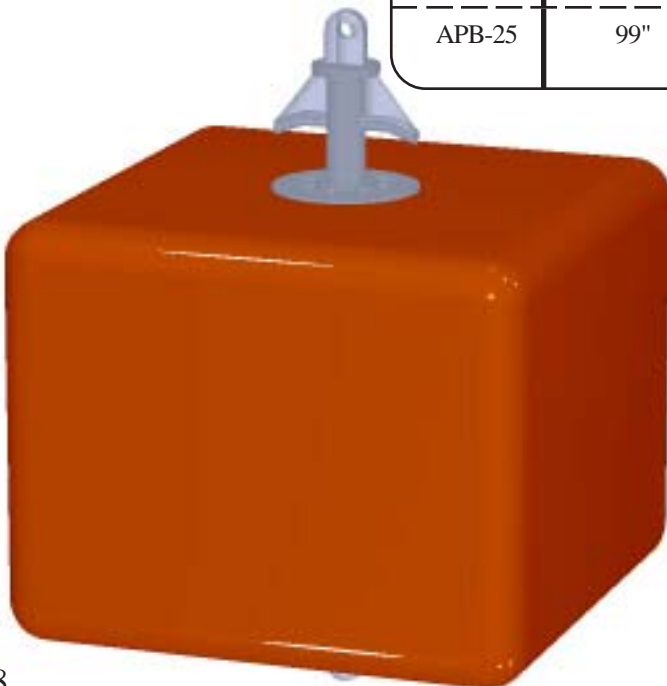
APB series buoys are rectangular(suitcase style), flat top, flat bottom buoys. This shape allows easy storage and stacking of the buoys on the workdeck.

APB series buoys are made of closed cell, crosslinked polyethylene foam covered with a tough Seathane[®] polyurethane skin reinforced with Spectra[®] 900 high strength fabric. We do not offer this series in an economy version since buoys of this type are usually subjected to very rough service. As anchor pendant buoys are handled, deployed and retrieved over and over; these units have an extra thick Seathane[®] polyurethane skin.

All metallic components of the **APB** series buoys are made of hot dipped galvanized carbon steel with aluminum metalized carbon steel or stainless steel optional.

APB series buoys are not internally ballasted. They depend on the weight of the mooring to maintain a proper attitude. An underwater weight of 17% to 45% of the buoy's net buoyancy should be provided by the mooring.

Model No.	Width & Length	St. Side Height	Overall Height	Weight	Net Buoyancy
APB-15	59"	47"	77"	1,200lbs.	4,850 lbs.
APB-20	79"	63"	102"	2,700lbs.	11,700lbs.
APB-25	99"	79"	128"	4,900lbs.	23,200lbs.



These buoys are not intended for use in areas where ice may crust in excess of 2".

The padeye & cruciform of the **APB** Series buoys are removable to allow replacement if damaged and for more compact long term storage.

*Seathane[®] is a trademark of Urethane Technologies, Inc.
Spectra[®] is a trademark of Allied-Signal Corp.*